

输出交流电抗器 AC Output Reactor(Choke)



Product Profile 产品简述

Smoothing circuit, efficient from IGBT motor drives, so as to extending service life of electric motors. Reduce motor noise and eddy loss. Reduce the leakage current resulted from the output of high harmonic. Protect the electronic power switch within the inverters.

用于平滑滤波，降低瞬变电压 dv/dt ，延长电机寿命。可以降低电机噪音，减低涡流损耗。降低输出高次谐波造成的漏电流，保护变频器内部的功率开关器件。

Product Parameters 产品参数

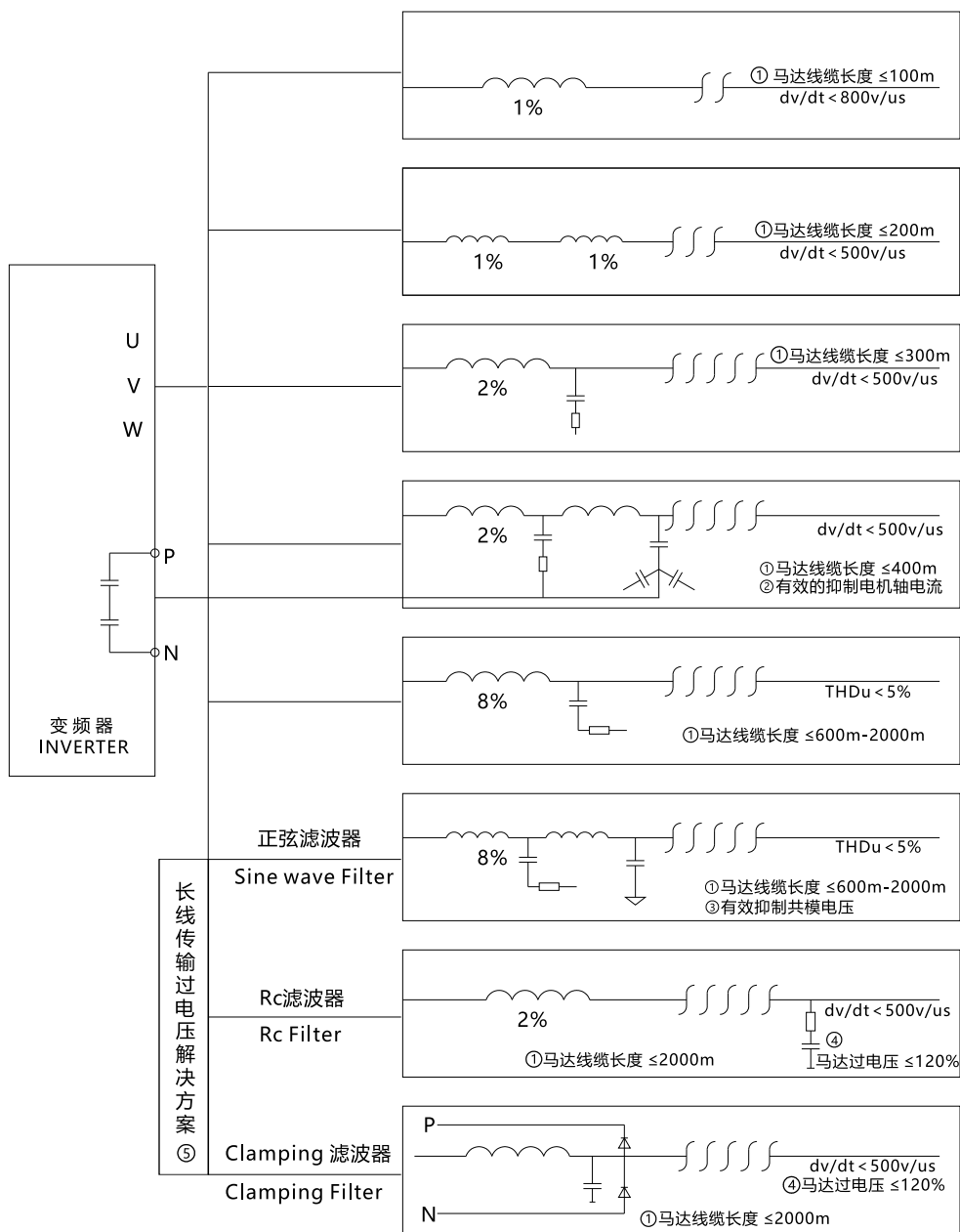
Rated Operating Voltage	400V 50Hz/60Hz
Operating Frequency	0~120Hz(Higher than 120Hz Need customization)
Current Range	5A to 1600A
Operation Ambient Temperature	-25°C ~ 50°C
Dielectric Strength	Core-Winding, AC 3000V/50Hz/5mA in 60s free of damage(test in factory)
Insulation Resistance	Core-Winding, DC 1000V, Resistance >100M ohm
Reactor's noise	less than 80dB(to be measured at the point 1 meter away from the reactor horizontally)
Protection class	IP00
Insulation class	F/H
Standard	GB 19212.1-2008 GB/T 1094.6-2011

额定工作电压	400V 50Hz/60Hz
工作频率	0~120Hz (大于120Hz需定制)
额定工作电流	5A 至 1600A
工作环境温度	-25°C ~ 50°C
抗电强度	铁芯-绕组 AC 3000V/50Hz/5mA, 60秒无飞弧击穿 (工厂测试)
绝缘电阻	DC 1000V, 绝缘阻值 ≥ 100MΩ
电抗器噪音	< 80dB (与电抗器水平距离1米外测试)
防护等级	IP00
绝缘等级	F/H
产品执行标准	GB 19212.1-2008 GB/T1094.6-2011

Product Features 产品特点

Selection of silicon steel, ferrite magnetic material of amorphous core according to the frequency of application ;Excellent property due to full winding structure, small DC resistance ,strong resistance ,strong resistance to electromagnetic force, good overload ability in short time ; F class insulation materials are used ,which ensure products maintain reliable performance in harsh working conditions; Designed with low magnetic flux density ,the reactor is of high linearit, powerful overload capacity .Moreover, combined with VPI process, the noise is low.

电抗器可以根据客户使用频率的高低合理选取磁性材料（硅钢片，铁氧体，非晶铁芯，磁粉芯）；采用了高性能的箔式绕组结构，具有直流电阻小，抗电磁力能力强，短时间过载能力强；采用高性能的F级以上的复合绝缘材料，使产品在严酷的工作条件下依然可以保持可靠的性能；电抗器设计磁通密度低、线性度好、过载能力强，配合真空压力浸渍工艺，电抗器噪音小。



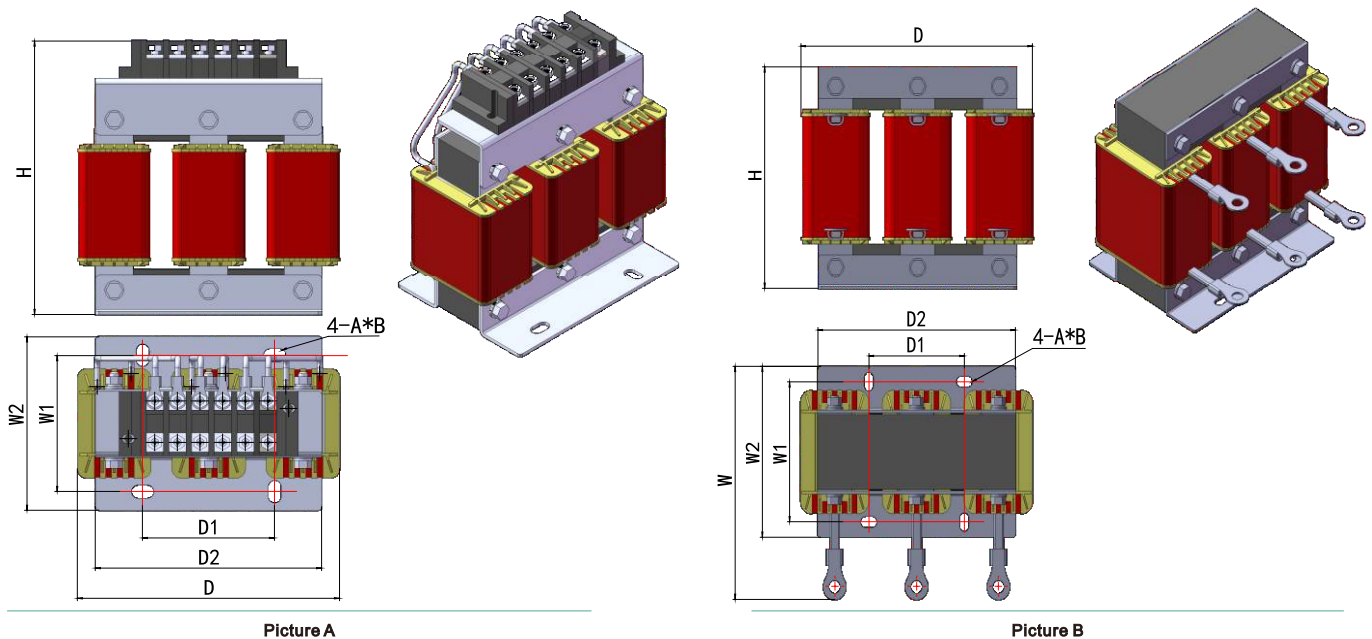
- ① The Length of motor Cable 马达线缆长度
- ② Effectively Restrain the Current of the Motor Shaft 有效的抑制电机轴电流
- ③ Effectively Restrain the Common-mode Voltage 有效抑制共模电压
- ④ Overvoltage of the Motor 马达过电压
- ⑤ Solution for Overvoltage of Long-term Transmission 长线传输过电压解决方案

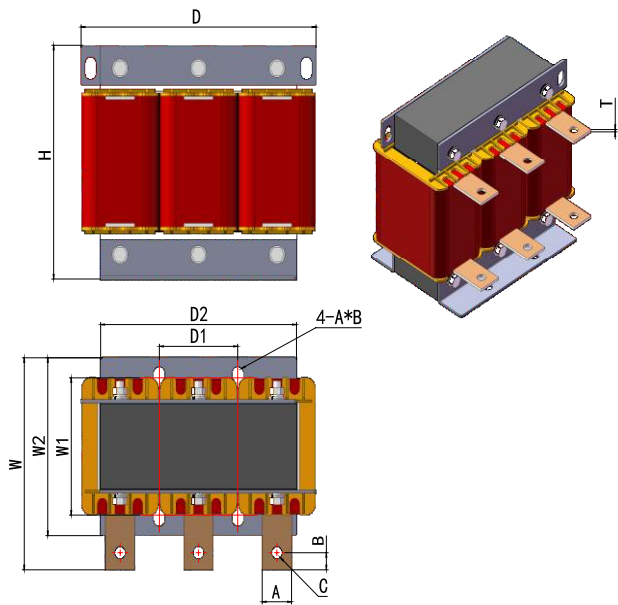
380V AC output reactor (2% impedance) selection table 380V输出交流电抗器 (2%电抗率) 选型表

Type 电抗器型号	Power 功率(Kw)	Inductance Value 电感量(mH)	Current 电流(A)	Weight 重量(Kg)	Dimension 尺寸(mm)								Connection		Linear aperture 线排孔径	Pic. NO. 图号
					D(Max)	D1±1	D2±2	W±10	W1±1	W2±2	H (Max)	A*B	Terminal 端子	Cu flat 铜排		
VKS-OCL-0005-CL/4-2	1.5	2.80	5	1.3	100	35	80	/	59	77	125	7x12	√		/	A
VKS-OCL-0007-CL/4-2	2.2	2	7	1.4	100	35	80	/	59	77	125	7x12	√		/	A
VKS-OCL-0010-CL/4-2	3.7	1.4	10	1.5	100	35	80	/	59	77	125	7x12	√		/	A
VKS-OCL-0015-AL/4-2	5.5	0.93	15	2.5	150	70	120	/	72	92	150	7x12	√		/	A
VKS-OCL-0020-AL/4-2	7.5	0.70	20	2.5	150	70	120	/	72	92	150	7x12	√		/	A
VKS-OCL-0030-AL/4-2	11	0.47	30	3.5	180	70	145	/	68	88	170	7x12	√		/	A
VKS-OCL-0040-AL/4-2	15	0.35	40	5	180	70	145	/	81	101	170	7x12	√		/	A
VKS-OCL-0050-AL/4-2	18.5	0.28	50	5	180	70	145	130	81	101	135	7x12	√		/	B
VKS-OCL-0060-AL/4-2	22	0.24	60	6.5	180	70	145	140	90	110	145	7x12	√		/	B
VKS-OCL-0080-AL/4-2	30	0.17	80	9	210	80	170	155	91	111	160	7x12	√		/	B
VKS-OCL-0090-AL/4-2	37	0.16	90	9	210	80	170	155	91	111	160	7x12	√		/	B
VKS-OCL-0120-AL/4-2	45	0.12	120	13	245	80	200	160	94	130	210	12x20		30*3	φ11	C
VKS-OCL-0150-AL/4-2	55	0.095	150	15	245	80	200	160	94	130	210	12x20		30*3	φ11	C
VKS-OCL-0200-AL/4-2	75	0.07	200	20	245	80	200	185	120	156	210	12x20		30*3	φ11	C
VKS-OCL-0240-AB/4-2	90	0.056	240	25	240	180	200	195	132	162	220	11x20		30*7	φ11	D
VKS-OCL-0250-AB/4-2	110	0.056	250	25	240	180	200	195	132	162	220	11x20		30*7	φ11	D
VKS-OCL-0290-AB/4-2	132	0.048	290	31	310	225	250	215	122	158	255	12x20		40*8	φ13	E
VKS-OCL-0330-AB/4-2	160	0.042	330	32	310	225	250	215	122	158	255	12x20		40*8	φ13	E
VKS-OCL-0390-AB/4-2	187	0.036	390	42	310	225	250	220	125	161	285	12x20		40*8	φ13	E
VKS-OCL-0490-AB/4-2	220	0.028	490	45	310	225	250	220	125	161	285	12x20		40*8	φ13	E
VKS-OCL-0530-AB/4-2	250	0.026	530	42.5	310	225	250	220	125	161	285	12x20		40*8	φ13	E
VKS-OCL-0600-AB/4-2	280	0.023	600	55	310	225	250	245	145	181	280	12x20		40*9	φ13	E
VKS-OCL-0660-AB/4-2	315	0.021	660	55	310	225	250	245	145	181	280	12x20		40*9	φ13	E
VKS-OCL-0800-AB/4-2	380	0.0175	800	85	390	130	320	305	230	270	400	12x20		50*11	2-φ11	G
VKS-OCL-1000-AB/4-2	450	0.014	1000	85	390	130	320	305	230	270	400	12x20		50*11	2-φ11	G
VKS-OCL-1250-AB/4-2	550	0.011	1250	110	385	130	320	305	210	250	470	12x20		60*13	4-φ13	F
VKS-OCL-1600-AB/4-2	630	0.009	1600	110	385	130	320	305	210	250	470	12x20		60*15	4-φ13	F

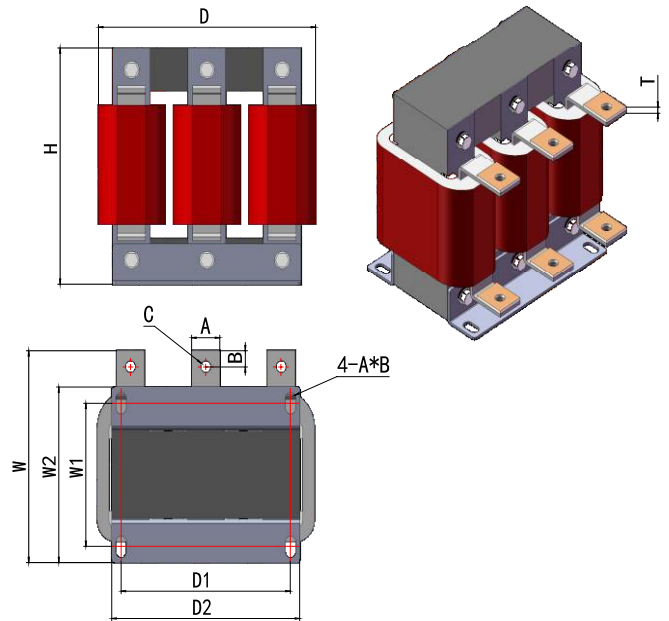
Note/备注: (1) Picture C公差(Tolerance) D:max D1:±1 D2±2 W:max W1:±2 W2:±2 H:max H1:±5 H2:±5 E±10,其余未注公差(others)±0.5mm;
Picture D公差(Tolerance) D:max D1:±1 D2±2 W:max W1:±2 W2:±2 H:max H1:±5 H2:±5 E±10,其余未注公差(others)±0.5mm,
(2) Can be customized. 以上型号为我司标准品, 其它规格可以根据客户要求定制。
(3) Class H Can be customized. H级产品可以根据客户要求定制。

Product Size 产品尺寸图

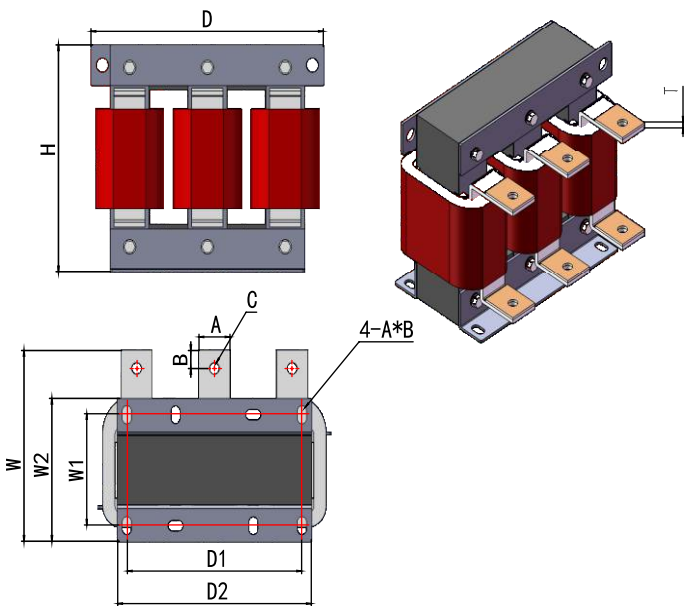




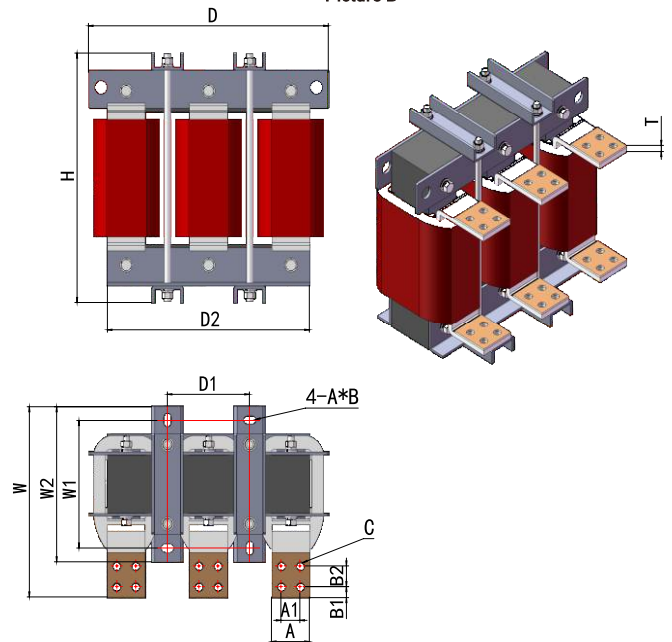
Picture C



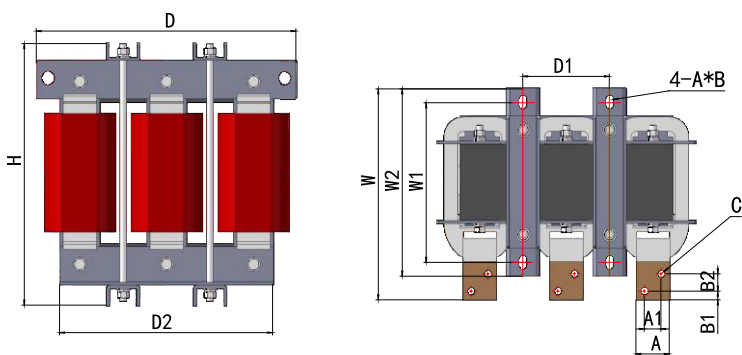
Picture D



Picture E



Picture F



Picture G

Observe protection clause to ISO 16016

请遵守 ISO 16016 的保密条款

DATE: 29.09.2020