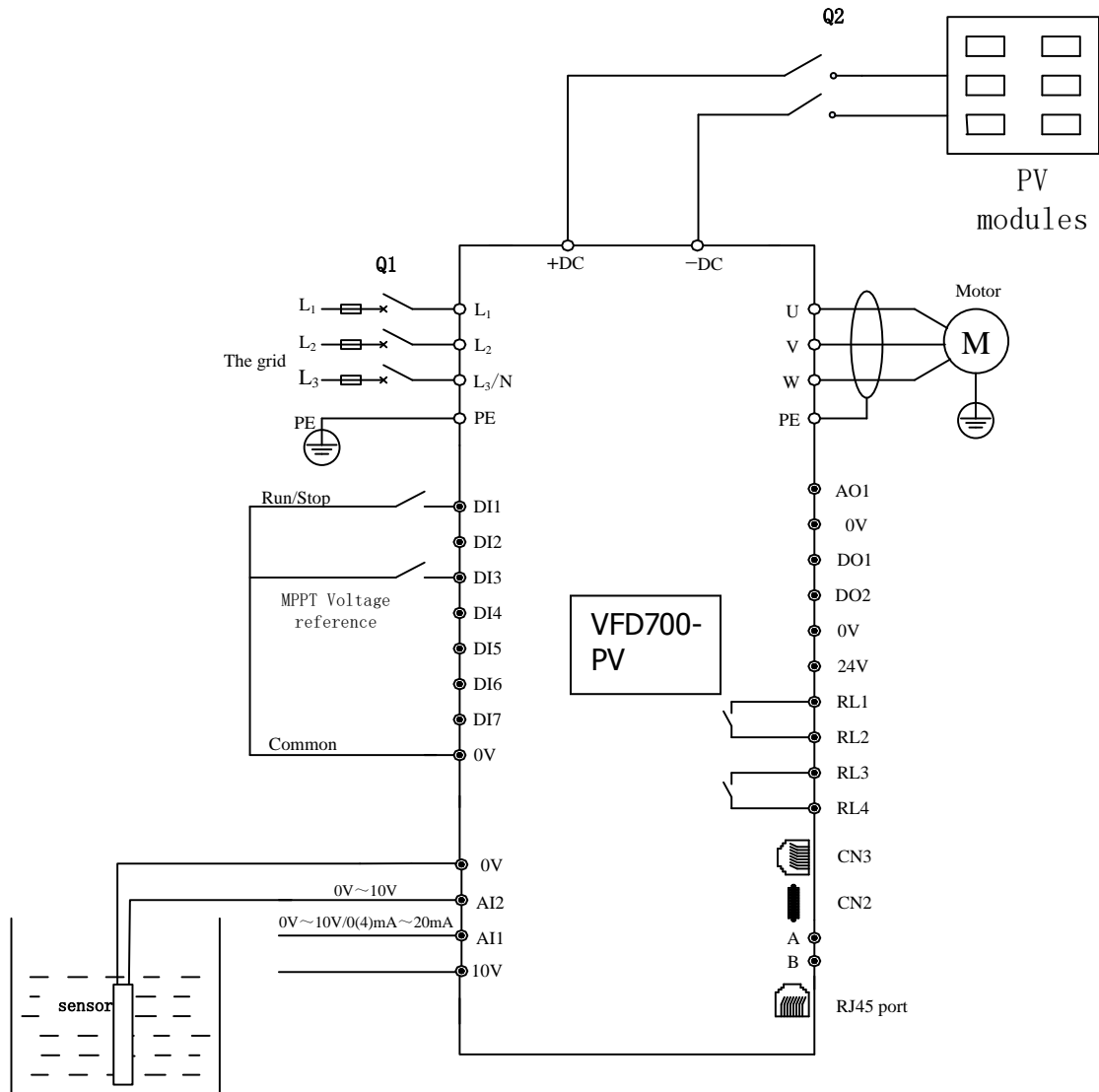


VFD700-PV user guide

1、 Typical cabling



2、 setting parameters

	Parameters name	Value	
P00.24	Load default	1	
P00.03	Control Mode	1	Terminal control the drive run/stop
P00.08	Min. frequency reference	0.00Hz	Ramp stop

P00.09	Acceleration rate1	10.0 seconds	Setting as you need
P00.10	Deceleration rate 1	20.0 seconds	Setting as you need
P00.11	Stop mode	0	
P00.14	Motor1 rated current		Setting as the motor nameplate

3、 Note:

Code	Name	Range	Default
P10.26	MPPT mode	0~2	2

P10.26 = 0: MPPT mode disabled , The drive setup reference is determined by P01.01.

P10.26 = 1: MPPT mode 1 , which fixed MPPT voltage by manual setting.

P10.26 = 2: MPPT mode 2, Automatically get MPPT voltage value ,no need to set the MPPT voltage .

(2) Parameter P10.27 to P10.30 is used for pump dry run protection setting

Code	Name	Range	Default
P10.27	Unload detection enable	0 : Disable 1 : Enable	1
P10.28	Unload detection level	0.0% ~ 100.0%	45.0%
P10.29	Unload detection time	0.0 s ~ 3000.0s	10.0S
P10.30	Unload detection mode	0 : no action 1 : Coast stop	1

(3) MPPT voltage setting when P10.26=1

Code	Name	Range	Default
P10.41	MPPT voltage reference	0~1000 VDC	
P10.47	MPPT Voltage Reference 2	0~1000 V DC	200Vdrive : 210V 400Vdrive : 350V
P10.48	MPPT Voltage Reference 1	0~1000 V DC	200Vdrive : 305V 400Vdrive : 530V

--	--	--	--

P10.47 MPPT reference voltage 2, default as a low value, for 380V drive, 350V is set as default, and for 220V drive, 210V is set as default.

When DI3 enable (short circuit to 0V),P10.47 will be mapped to P10.41 for Grid power application.

P10.48 MPPT reference voltage 1, default as a normal value, for 380V drive, 530V is set as default, and for 220V drive, 305V is set as default.

When DI3 disable, P10.48 will be mapped to P10.41 for normal solar pump application.

(3) other parameters setting please refer to 《VFD700-PV Solar Pump inverter user manual 》